


PRODUCT SHEET

Description:

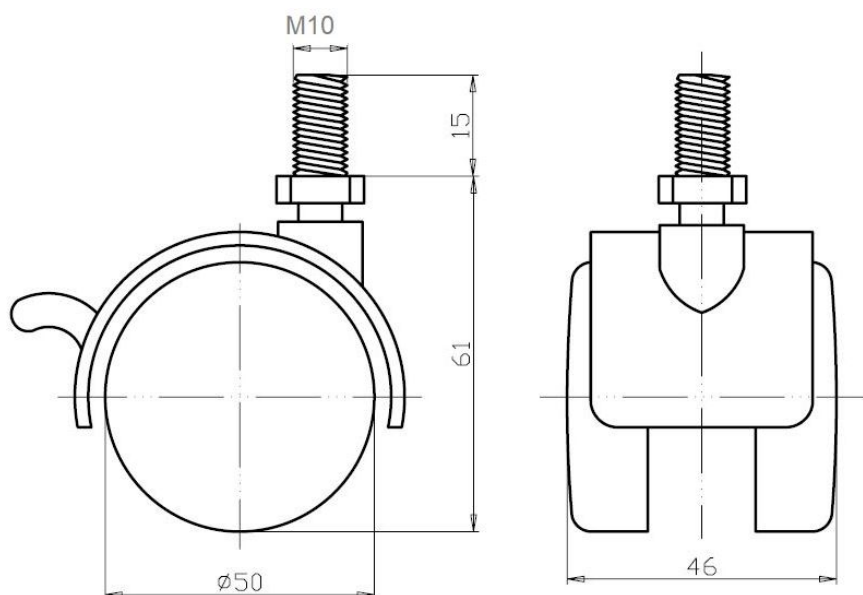
Twin Wheel Castor \varnothing 50mm, Black, W/Brake, Stem M10 x 15mm, Mounting Height: 60mm

Item number:

08.04.118-1

Units	Box	Carton	HS Code	Barcode
Pcs.	4	300	8302200090	

5704866005708



SISO A/S

Mileparken 11
DK-2740 Skovlunde
Denmark
VAT: DK 24786013

Phone +45 45 830 900

www.siso.dk
siso@siso.dk

Danske Bank
Nytorv Branch
Copenhagen
SWIFT: DABADKKK

Account no.
4180 3112 112936
IBAN Account
DK7230003112112936